

DOOR STYLES

Know the different types of doors, door joints and components.

1

Cabinet Doors



- Image obtained from <http://elizabethbixler.com/bathroom-kitchen-cabinet-door-styles/>

Glazed Doors



1.



2.



3.



4.



5.

1. Frosted
2. Leaded
3. Transparent
4. Seeded
5. Textured

- Image obtained from <https://triangle.cabinetcures.com/article/kitchen-cabinet-door-glass-types/>

Glazing styles

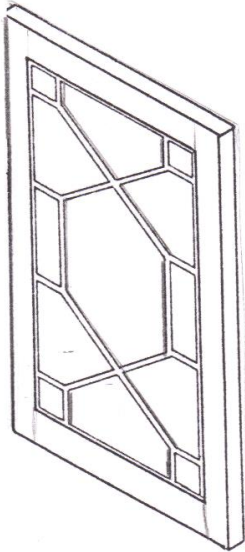


FIG. 122. BARRED DOORS OF CHIPPENDALE SCHOOL.

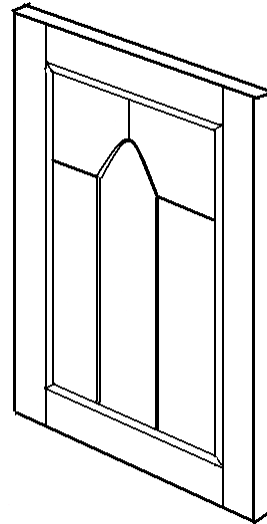
1750-1775.
 Nearly all bookcases had barred doors. The moulding was usually a small astragal with stiffening bar at the back forming rebates for the glass.



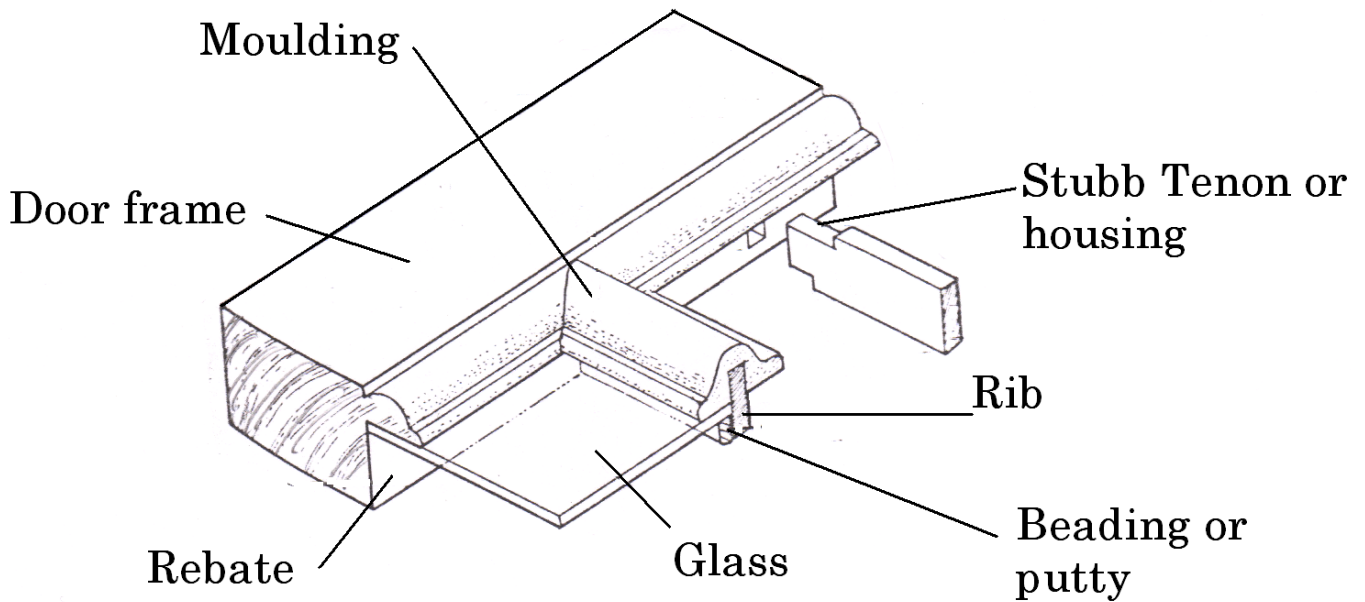
Glazed Bar Doors



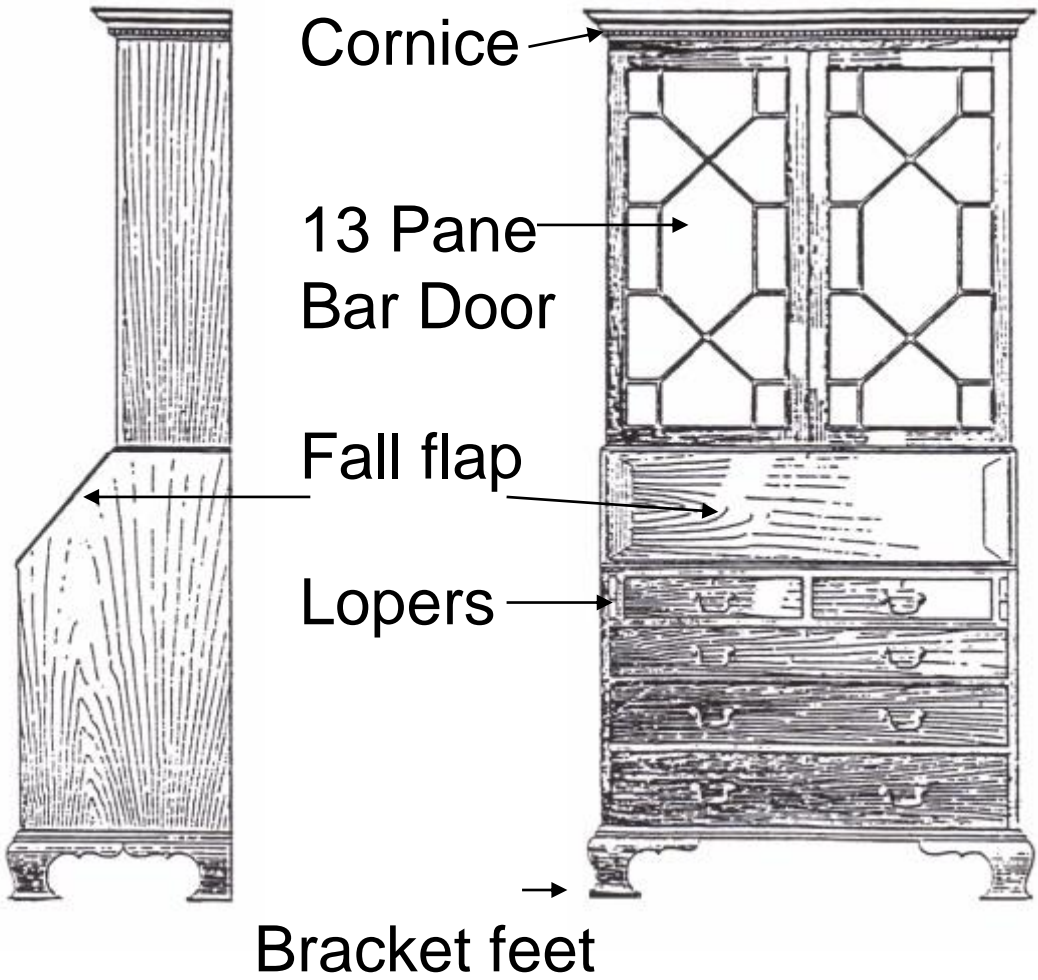
13 Pane Bar Door



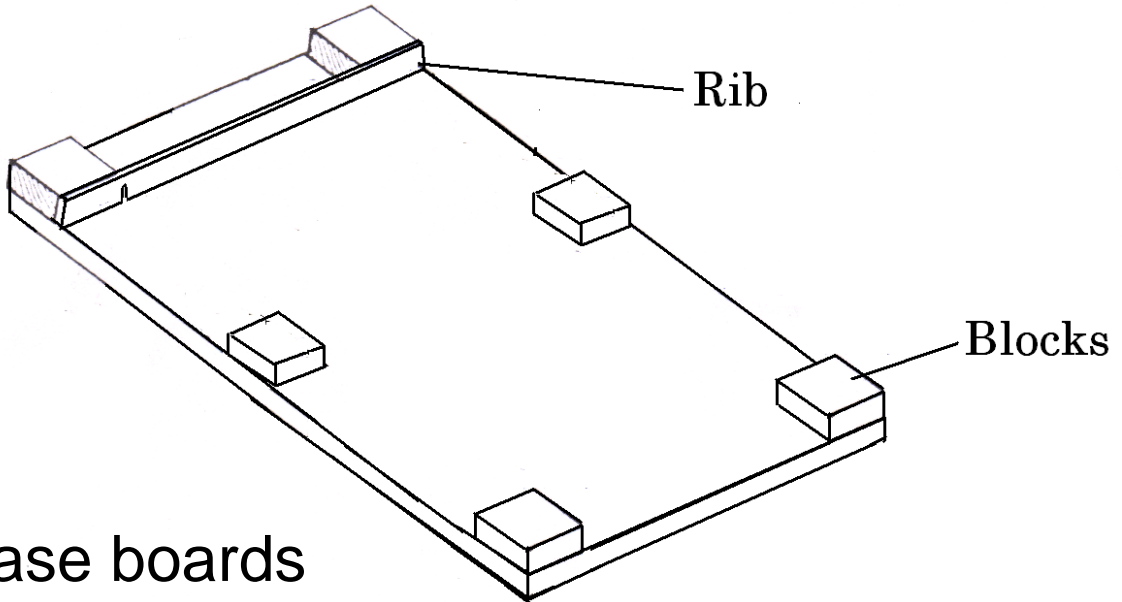
Tracery Bar Door



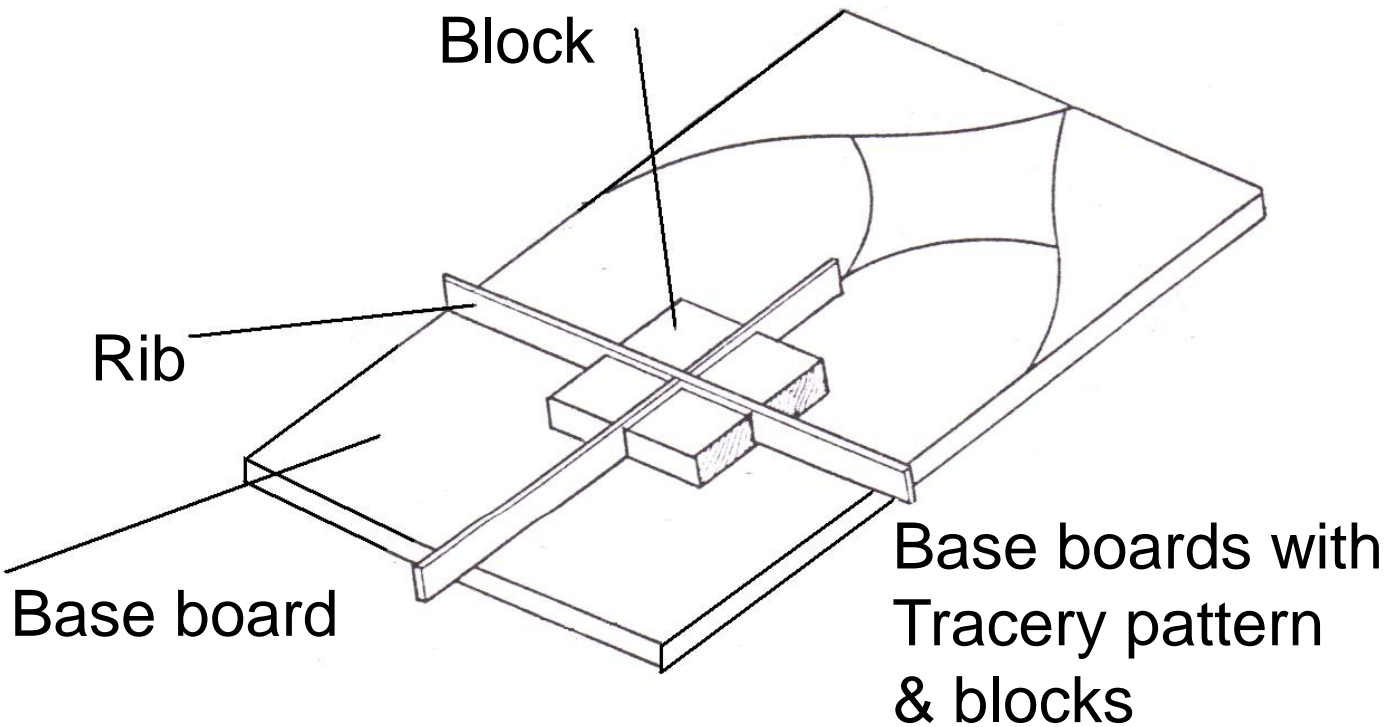
Chippendale Bureau



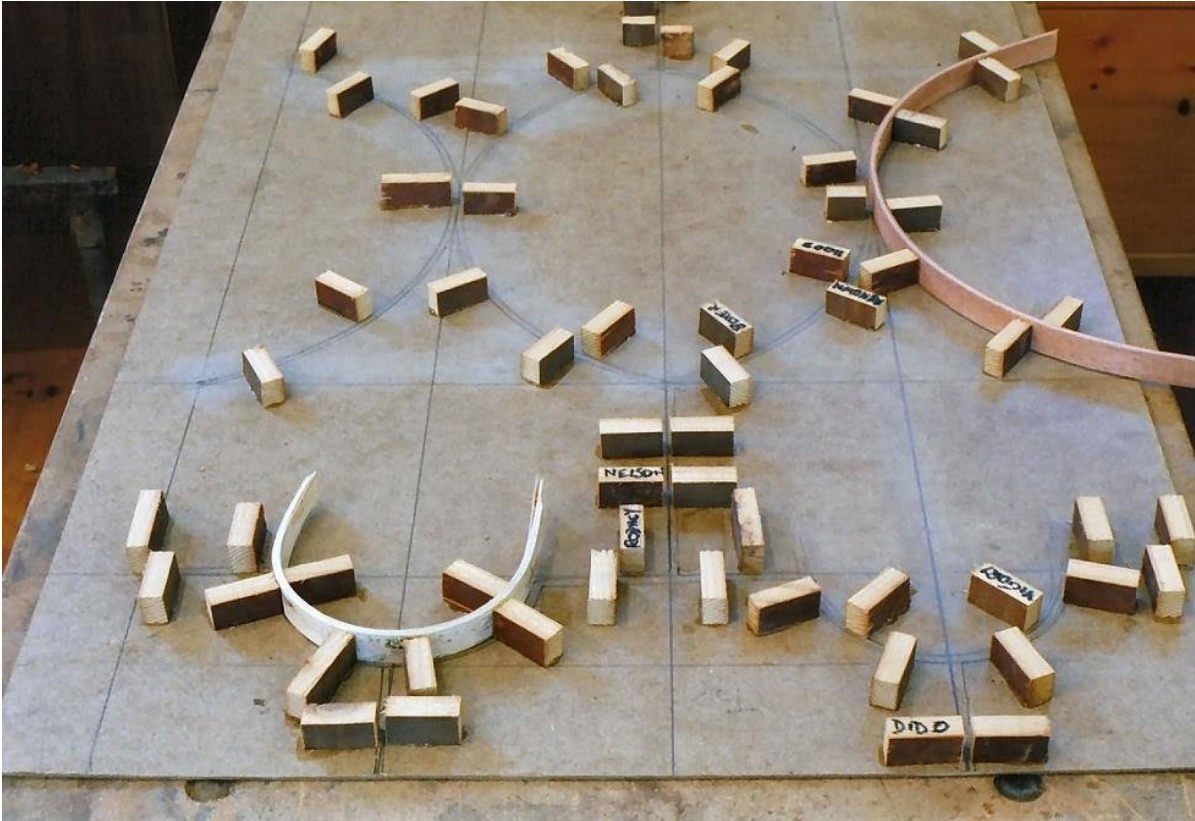
Glazed Bar Doors



Base boards
with blocks



Setting out



Sliding doors



Series –mini runners



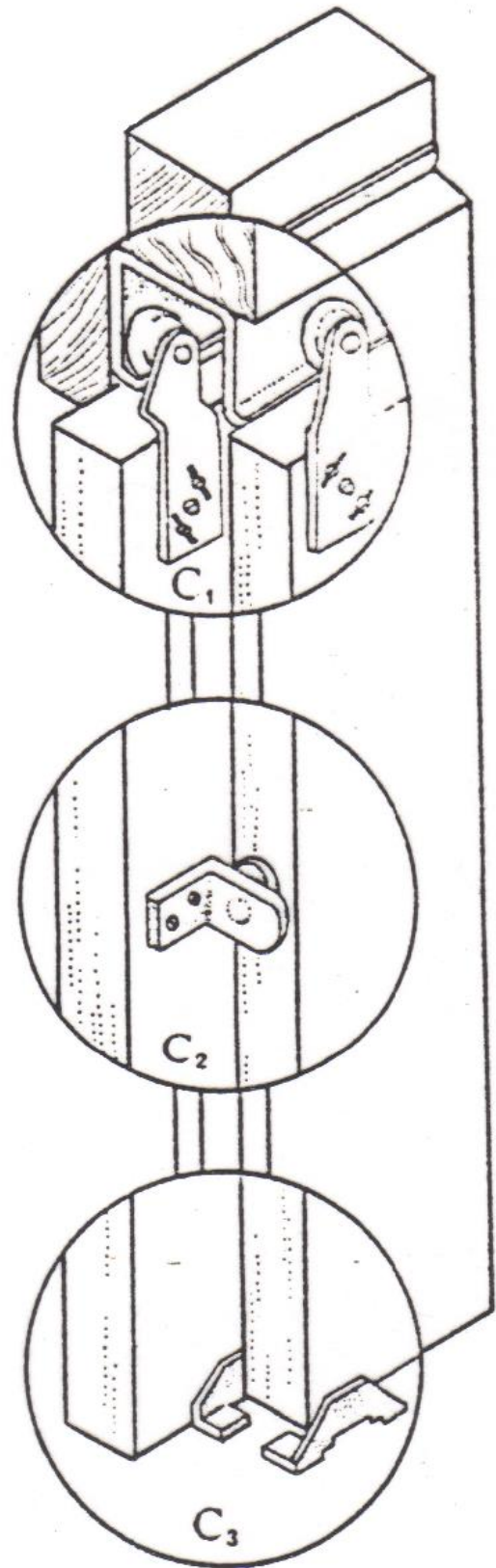
Traditional method grooves or insert laths

Sliding Doors

Large doors are usually
top hung with two
wheels per door
running in channels
Roller bearing
in tracks

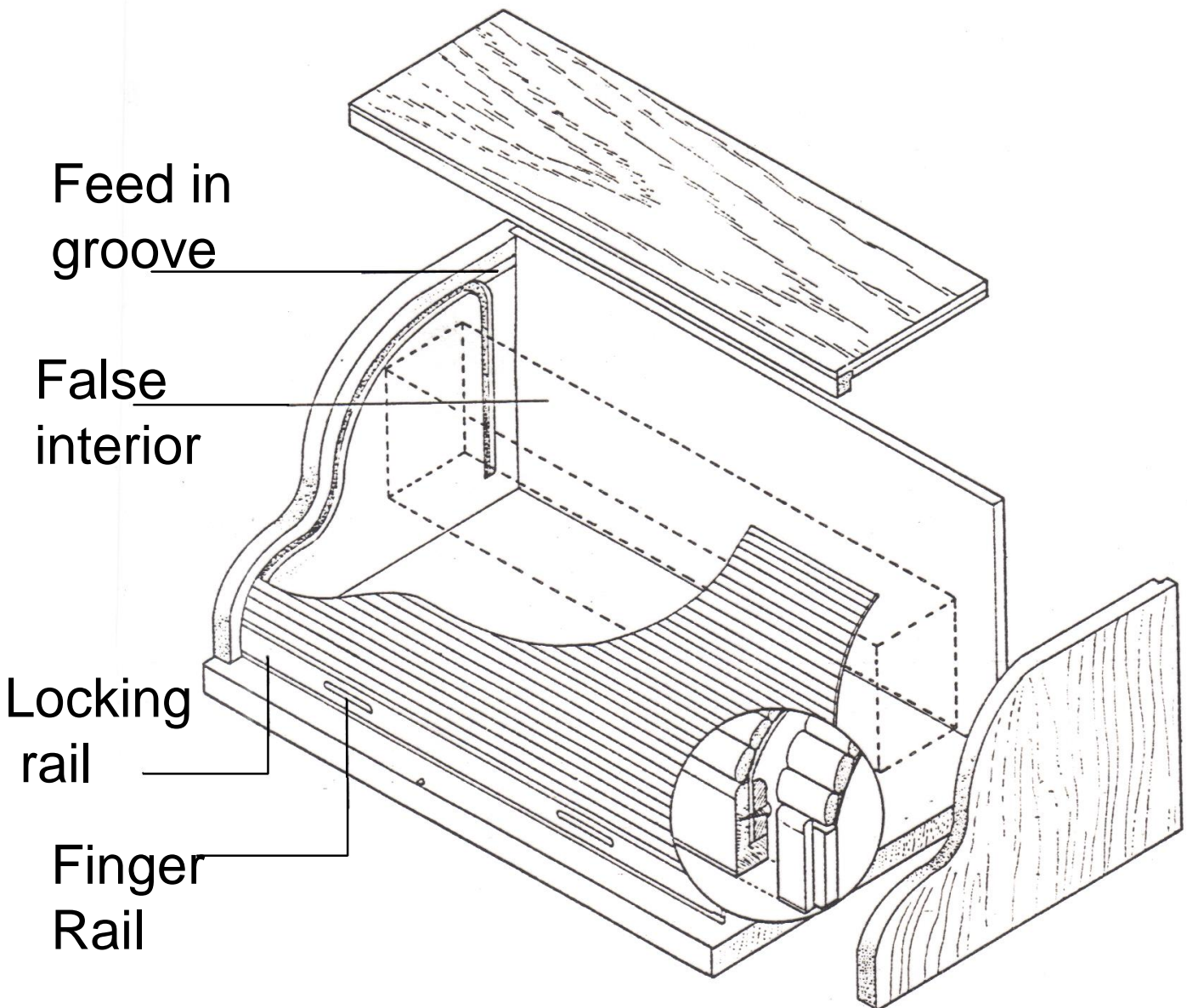
Centre support
Buffer stops
prevent heavy
doors pinching
fingers

Door bottoms
slide in
nylon guides



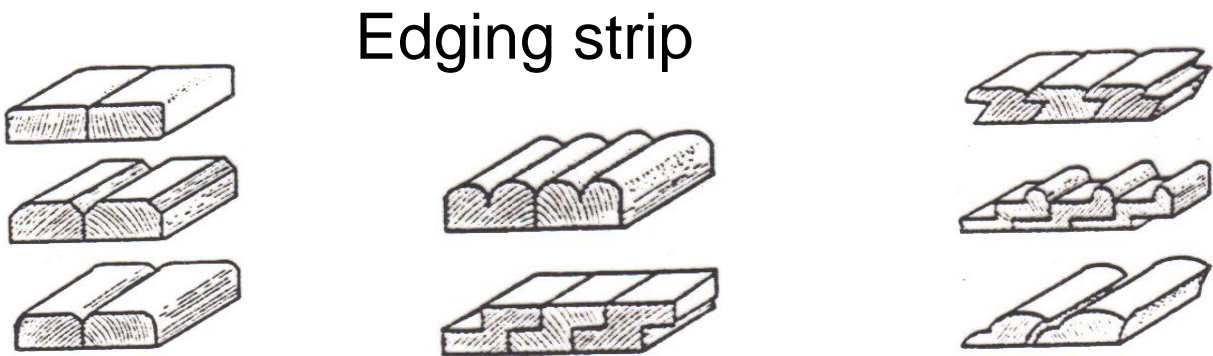
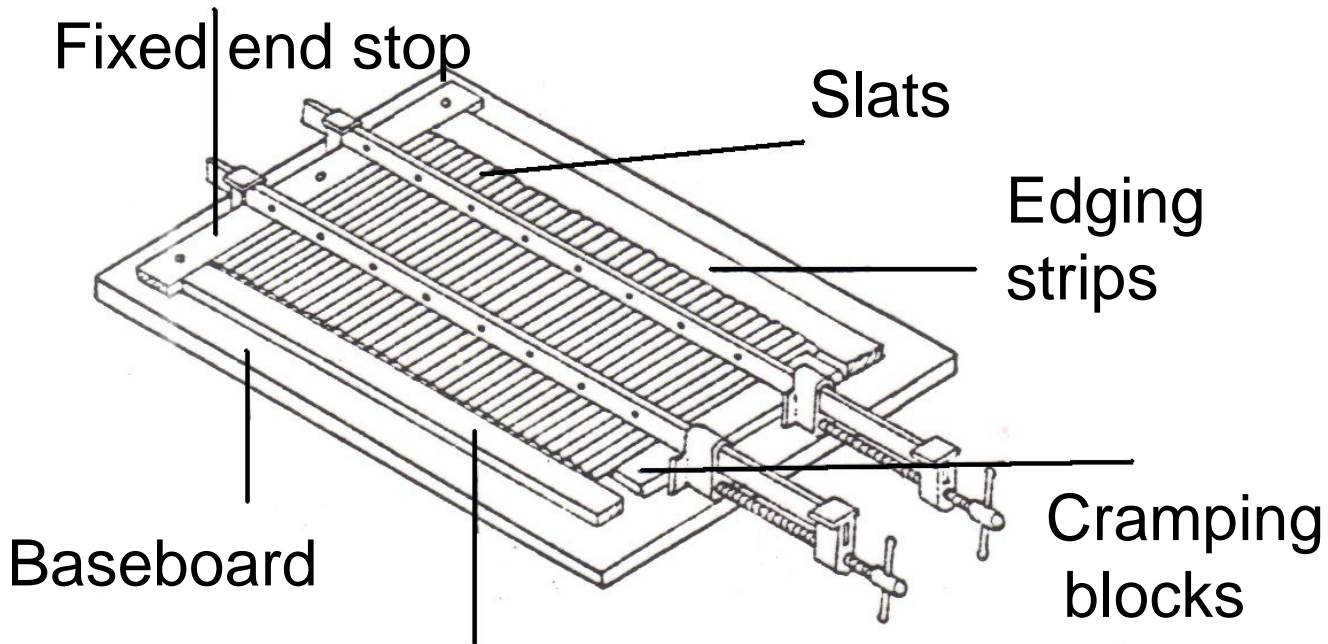
Tambour Doors

- Tambours are pushed & pulled to open & close.



Tambour Doors

- A Tambour door is a sliding door
- Wooden slats cramped onto a baseboard
- A canvas sheet is glued onto the slats.



Tambour doors



How to make a Tambour door



This 3-piece router bit set shapes tambours that interlock with a ball-and-socket joint. Unlike ordinary tambours, there is no need for cloth, glue or wires

Amana Tambour Door Router Bit Set

Mortice & Tenon Rebated Frame



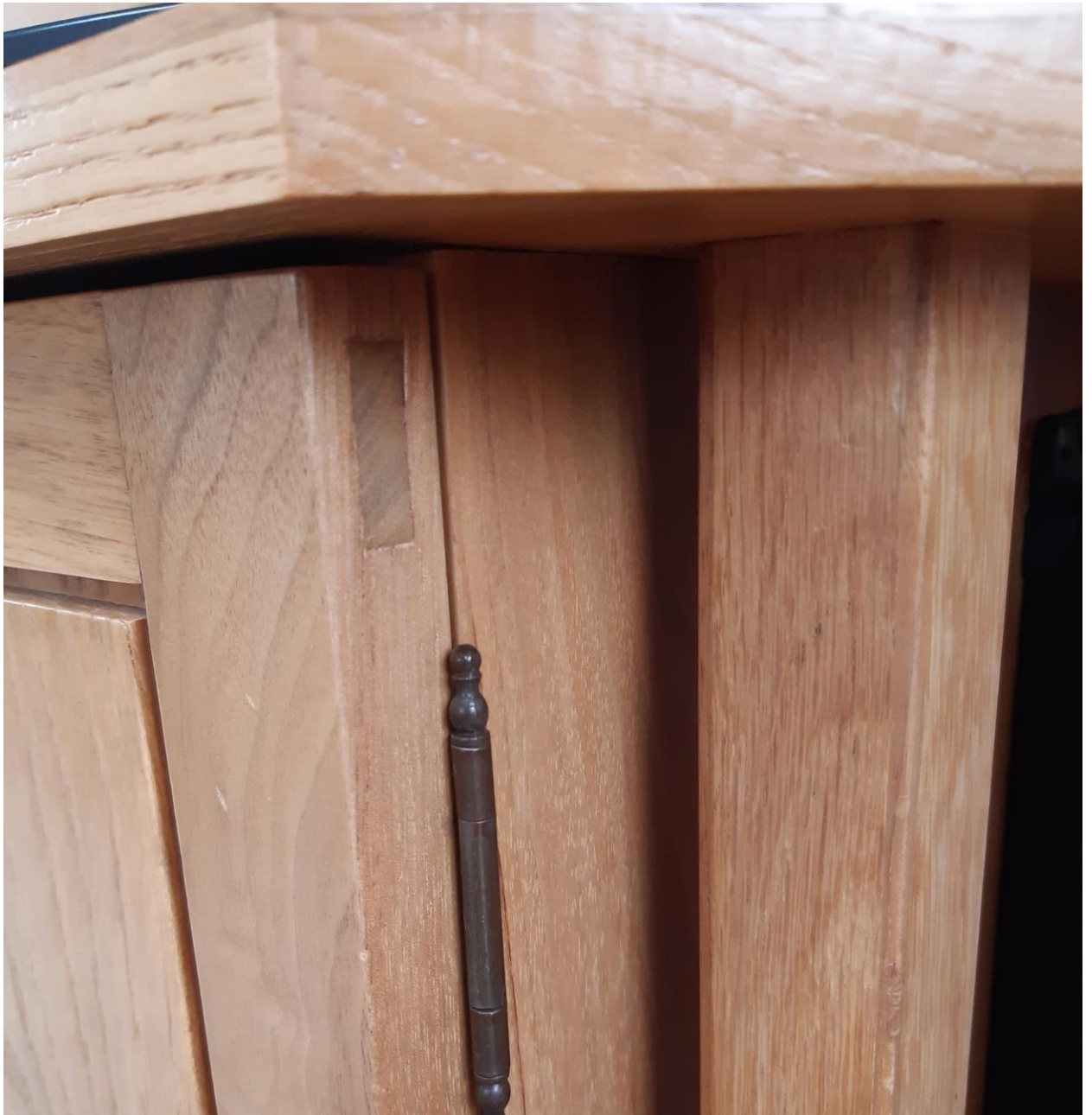
Mortice & Tenon Rebated Frame



Machined Profiled Edge Grooved Frame



Haunched Through Mortice & Grooved Frame



Machined Mortice & Tenon with Profiled Edge & Grooved Frame

