

Locks

Jennifer Byrne
2026

Traditional Furniture
Locks

Locks

Jennifer Byrne
2026

- Small finely made locks are fitted to furniture and boxes.
- However, they do not provide total security, merely some degree of privacy, since most furniture locks can be forced.
- For everyday storage, a simple catch avoids the inconvenience of having to use keys.
- Locks are made in various sizes and quantities and are usually measured on length to the pin.
- Locks for doors are made right or left hand, terms used to indicate the direction in which the bolt shoots.



- ***Straight Cupboard Lock***

- This lock can be used on all kinds of Cabinet doors. In fitting, cutting away of the wood is not necessary, the lock being lined up with the keyhole and screwed in position.



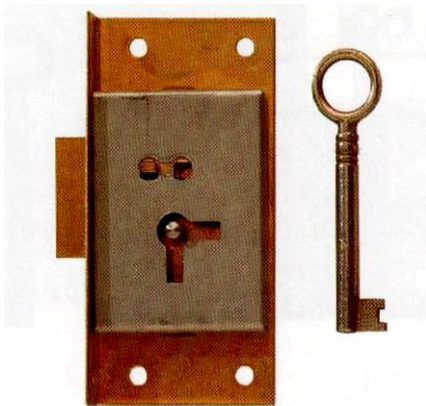
- ***Mortise Lock***

- Can be used on doors or drawers. The timber is mortised to receive the body of the lock and the faceplate is let in flush with the surface, presenting a very neat appearance.

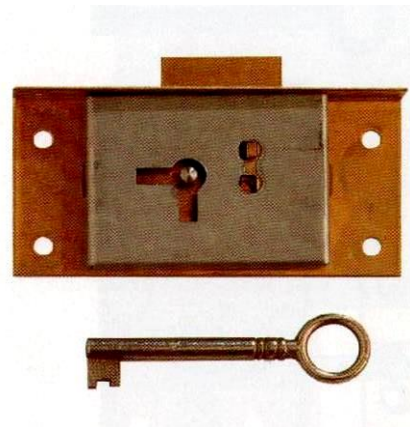


- ***Cut Cupboard Lock or Till Lock***

- This is the traditional cabinet lock used to secure drawers and cupboards. Cabinet locks are often made with two keyholes at right angles to each other so they can be mounted horizontally or vertically.



Door Lock



Till Lock

- ***Cut Cupboard Lock or Till Lock***
- This cabinet lock is housed into the wood to allow a flush fitted surface.



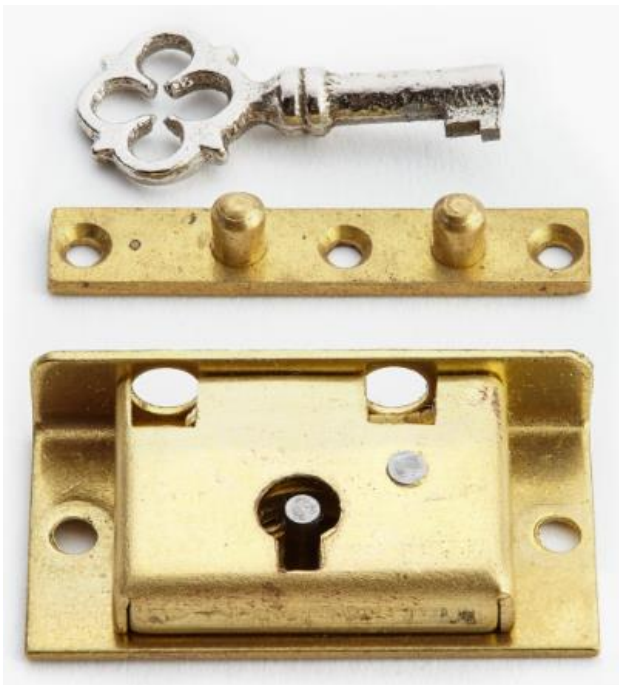
Drawer Lock



Old Till Lock

- ***Box lock***

- Used on boxes or other articles where it can be fitted under similar conditions. The link plate is let in flush and screwed to the lid. The plate has two links, which fit, into slots in the lock. When locked the links are securely held by the locking bolts contained in the lock itself.

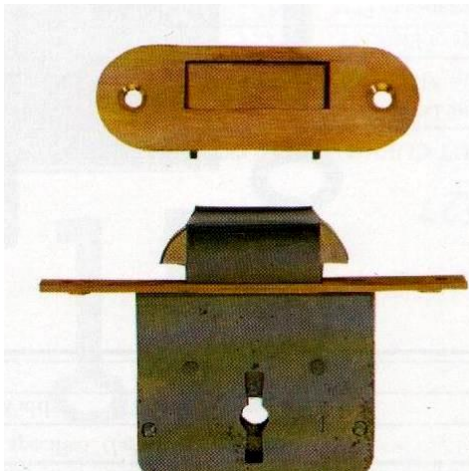


- ***Sliding door or hook lock***
- Mortise type, left or right handed, also available as a cut lock. This lock contains a slightly curved bolt which when operated hooks over the bottom edge of the slot in the receiving plate. This lock is used on inset sliding doors.



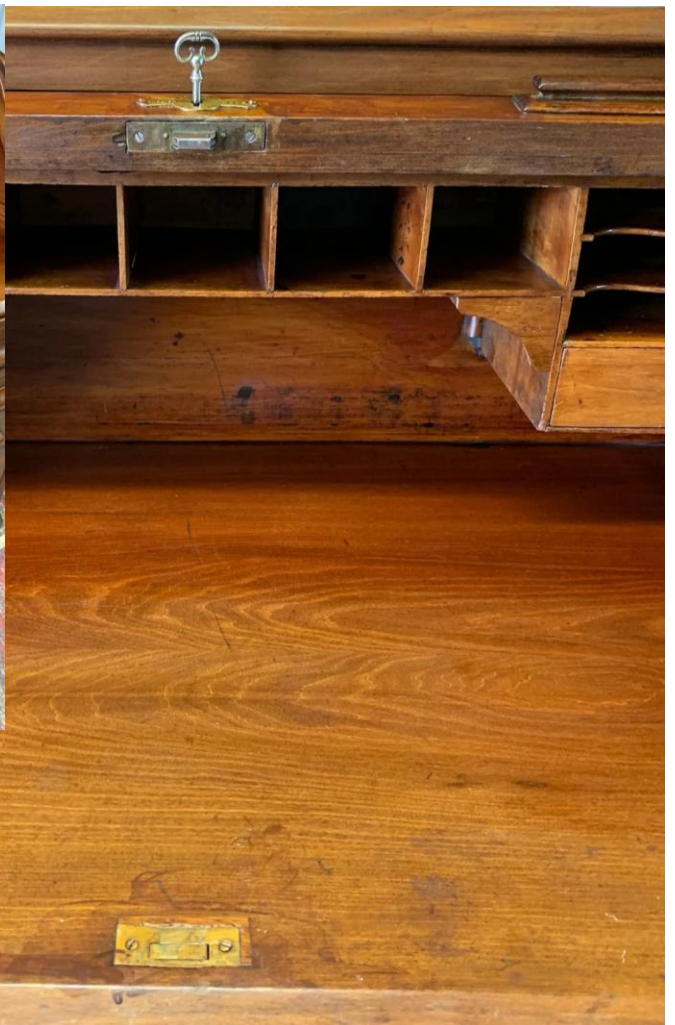
- ***Birds Beak Lock***

- This lock is used on roll top desks “tambours”, and sometimes on piano falls. The fall is mortised to contain the lock, the receiving plate being affixed to the “Bed” portion.
- The beaks spring into the slotted receiving plate when the fall is closed.

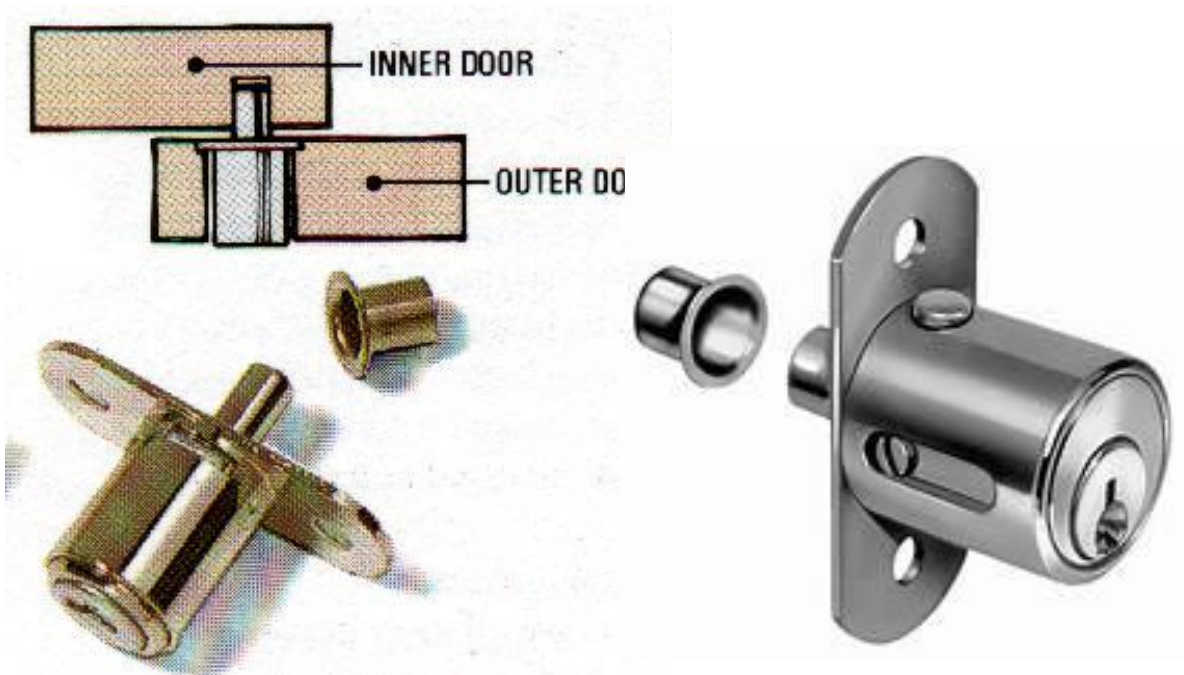


- ***Birds Beak Lock***

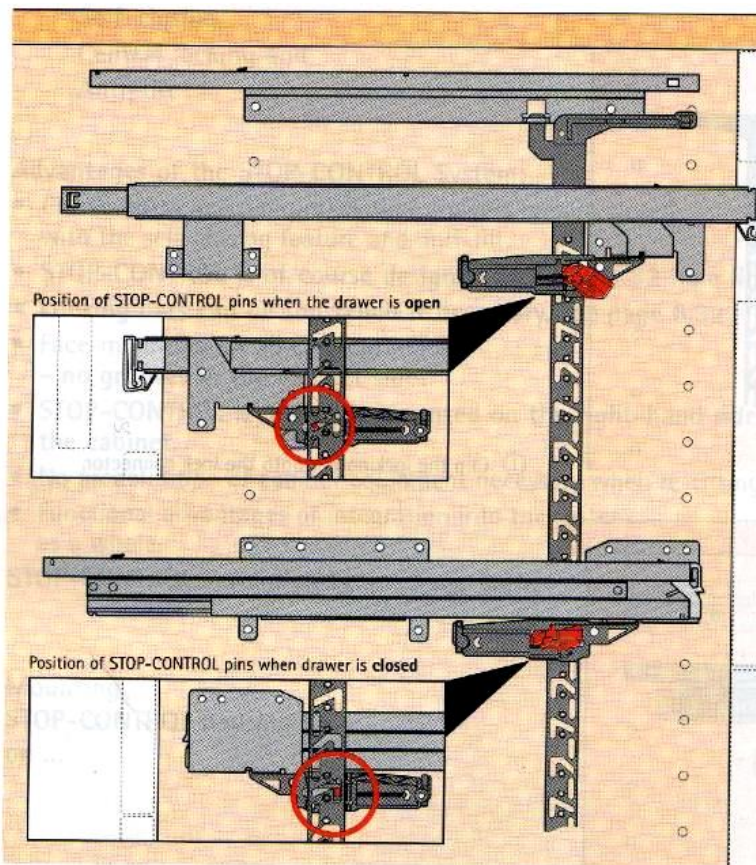
- This lock is used on roll top desks “tambours”, and sometimes on pianos falls and Bureaus. See Bureau below.



- ***Cylinder lock or Sliding Door Lock***
- This lock is used more in today's production furniture. A special cylinder lock is required to secure over lapping sliding doors. The lock, which is fitted to the outer door, is operated by a push button that sends a bolt into a socket recessed in the inner door. A turn of a key withdraws the bolt.



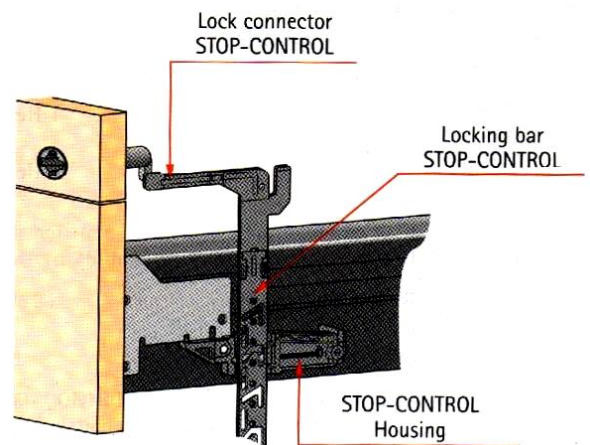
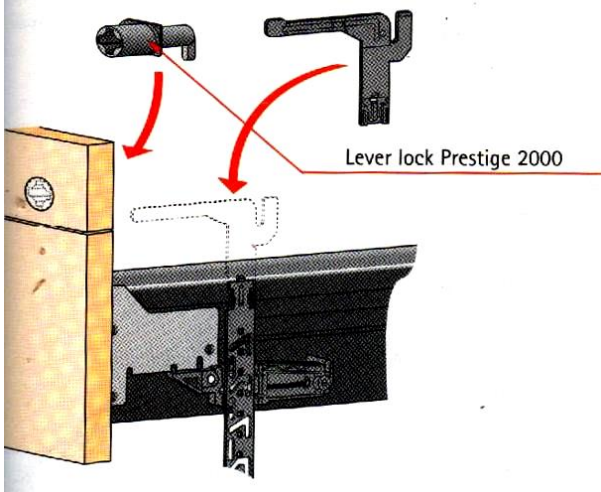
- ***Link Plate or Pedestal Lock Auto-lock***
- Used when drawers of a pedestal have to close and lock into the carcass. When the cylinder lock is shot it in turn activates a bar, which locks the drawers in place.



- ***Link Plate or Pedestal Lock Auto-lock***

- The modern pedestal locks can be fitted with an anti tilt device so that only one drawer can be opened at any given time.
- Thus avoiding toppling of large filing cabinets.

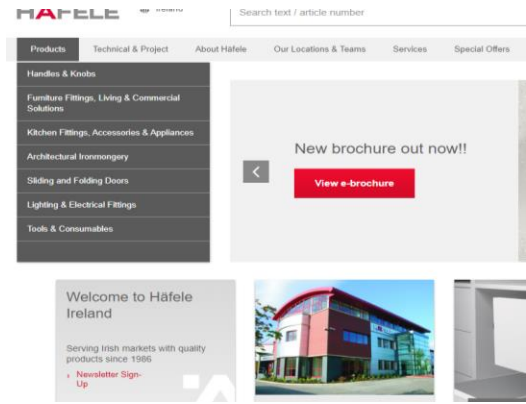
Mounting lever lock Prestige 2000



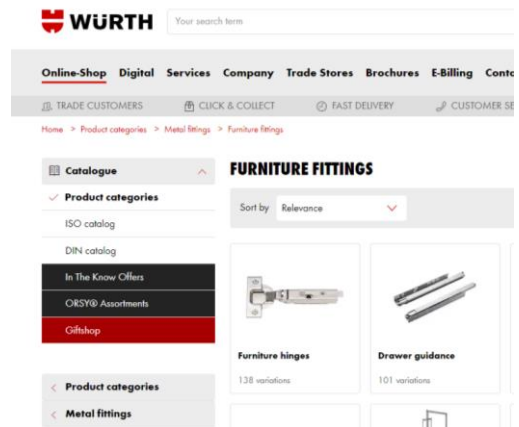
- **Suppliers**

- **HAFELE Link**

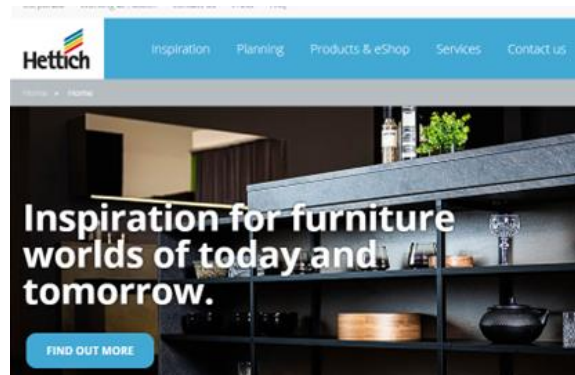
- **HAFELE**



- **WURTH Link**



- **HETTICH Link**



Locks Regulations

CEN, the European Committee for Standardization, is an association that brings together the National Standardization Bodies of 34 European countries. CEN

CEN on Locks

6 grades:

- Grade 6 – Maximum Security
- Grade 5 – Extra High Security
- Grade 4 – High Security
- Grade 3 – Medium to High
- Grade 2 – Standard Security
- Grade 1 – Low Security