

Learner Instructions

General Instructions:

1. Read the following carefully and make sure you understand all instructions. If you need clarification, check with the Supervisor/Assessor before the test begins.
2. Write your Apprentice Name/Registration No. on all answer sheets and assessment sheets.
3. Check that you have all the necessary materials before the test begins.
4. You must complete this test without assistance. Learners assisting other learners or interfering with their work will be disqualified from the test.
5. All test papers remain the property of SOLAS and the Department of Education and Skills, and must be returned to the Supervisor/Assessor immediately on completion of the test.
6. Mobile phones and other communication devices are not allowed.

Specific Instructions:

1. You should answer all 30 questions.
2. All questions carry equal marks.
3. To achieve a **pass** on this paper requires 21 or more questions to be answered correctly.
4. To achieve a **credit** on this paper requires 26 or more questions to be answered correctly.

Time Allowed: 2 hours

Materials Required:

- T1 Question book/paper
- HB pencil/pen
- Calculator
- Eraser

Wood Manufacturing & Finishing

Phase 6

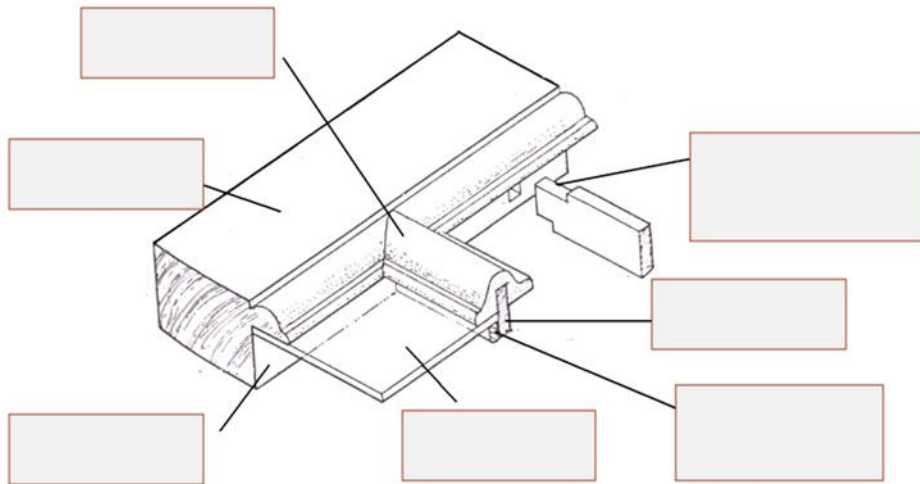
Sample Test Questions

Question 1. List **four** safety precautions to be observed when using a slot morticer.

Question 2. What is the minimum width of tenon which can be produced on a round-end tenoner & what determines this?

Question 3. Explain how blisters could occur in the veneered top surface of an antique chest of drawers **and** describe how you would repair the veneered top.

Question 4. Correctly name **five** of the **seven** labels below



Question 5. Describe how you would repair a turned leg on an antique dining chair that has a lower section of the leg missing.

Question 6. Give **three** general Health & Safety precautions that should be observed when spraying lacquer.

WMF PH 6 Sample Test Questions Feb 2023

Question 7. Draw any **two** of the following fittings **and** give an example of where they are used:

(a) Cut Cupboard Lock

(b) Quadrant Stay

(c) Soss Hinge

Question 8. Briefly describe any **three** of the following stair terms:

Newel Post	
Balustrade	
Pitch	
Tread	

Question 9. State **five** of the Building Regulations as they apply to a private stairs.

Question 10. Select a suitable going to comply with the $2R + G$ formula of a private stairs with a total rise of 2450mm. An optimum rise of 175mm is supplied. Show all calculations.

Question 11. €12,500 was invested at compound interest for 3 years. The first year rate was 4.5% The second year rate was 4% The third year rate was 3.5%. • Calculate the final amount and the interest earned. Show all calculations.

Question 12. A builder estimates that for every €2.25 he spends on materials he needs €3.75 for labour and €0.75 for overheads. On a job costing a total of € 36,405 what is the amount of (a) overheads (b) labour (c) materials
Show all calculations.

Question 13. Calculate the percentage waste when 21 circular stool seats, 325mm in diameter, are cut from a sheet of MDF measuring 1.220m x 2.440m.

Formula for the area of a circle = πr^2

Formula for percentage waste = $\frac{\text{Waste} \times 100}{\text{Material}}$

WMF PH 6 Sample Test Questions Feb 2023

Question 14. Sketch one of the following items of furniture

a) Tilt Top Tripod Table

or

b) Writing Bureau Desk

Question 15. Explain what is the meant by the following Furniture Terms; Use sketches to support your answer.

An overhung rail:
A loper:
A serpentine shaped top:
A tambour door:

Question 16. Provide the Standard Sizes for the following in relation to Kitchens:

Maximum wall unit depth:	
Height of worktop:	
Depth of worktop:	
Safe passing distance:	

Question 17. Give **four** examples of edge-banding or lipping material that can be used on an edge banding machine.

Question 18. Outline why baseboards are used when operating the CNC.

Question 19. You are faced with a Symantec error when running a CNC programme, explain what will happen next.

Question 20. Outline what could occur if the correct speed is not selected when operating a CNC?

Question 21. Briefly outline the advantages of using progressive jigs.

Question 22. In relation to cutters, provide the full name of the abbreviations below:

TCT	
HSS	
PCD	

Question 23. List **four** safety precautions that should be observed when setting up and operating a lathe.

Question 24. In relation to surface finishes:

a) What finish consists of a mixture of shellac in methylated spirits?
b) What type of finish should be used on a salad bowl?
c) What does the term “de nib” mean?
d) When spraying lacquer, you sometimes get blooming, what is blooming?

Question 25. Explain why blade tension is released after the band re-saw is shut down?

Question 26. Describe the **four** stages of the life cycle of the Common Furniture Beetle

Question 27. Describe Wet Rot **and** give an example of where you might find it.

Question 28. Give **four** requirements of a good timber preservative?

Question 29. Name **four** types of guarding that can be used on straight work on a spindle moulder.

Question 30. Explain why coolant must be directed on the tooling and not on the stone.
